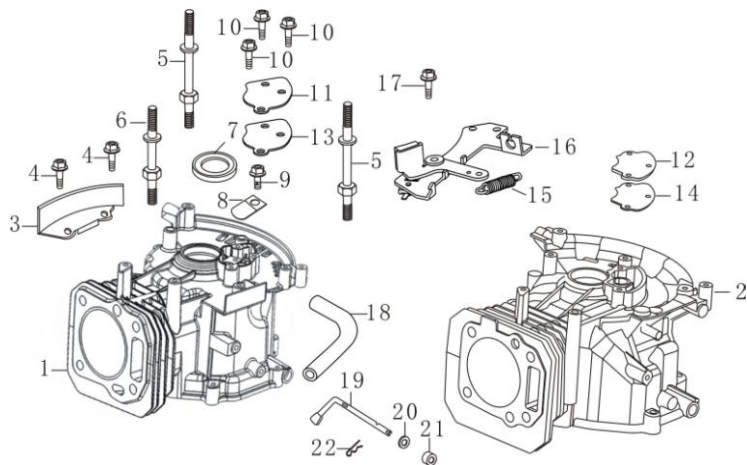
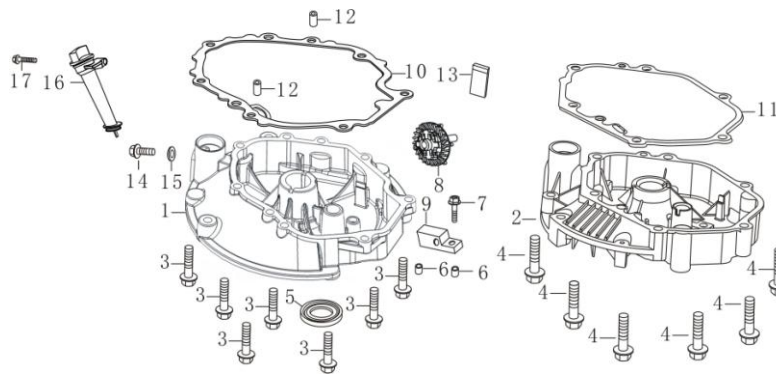


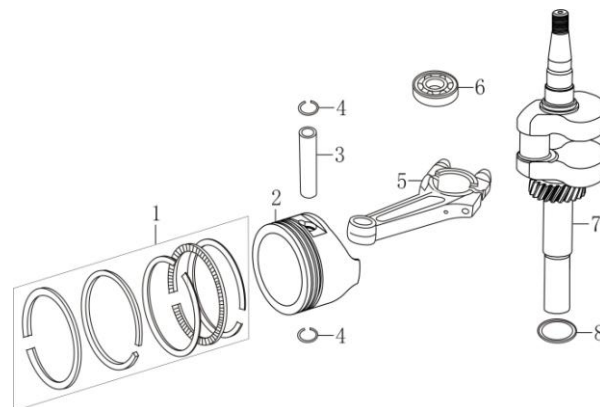
PART N 1 (Cylinder head)		
No.	ADA CODE	Description
	1	
2	GD15E102	COVER COMP. HEAD
3	GD15E103	PACKING, HEAD COVER
4	GD15E104	PLUG, SPARK F7TC
5	GD15E105	BOLT, CONNECTING, ROD M8*55
6	GD15E106	HEAD COMP. CYLINDER
8	GD15E107	BOLT, STUD M6*95
9	GD15E108	BOLT, STUD M6*103
10	GD15E109	GASKET, CYLINDER
11	GD15E110	PIN, DOWEL, 10*14



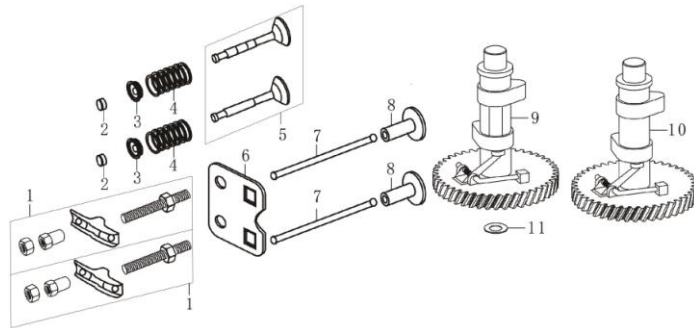
PART N 2 (Crankcase)		
No.	ADA CODE	Description
	2	
3	GD15E203	SHIELD, TANK SIDE
4	GD15E204	BOLT, FLANGE M6*16
5	GD15E205	BOLT, STUD 6*85
6	GD15E206	BOLT, STUD 6*78.5
7	GD15E207	OIL SEAL 25*38*7
8	GD15E208	REED VALVE
9	GD15E209	BOLT, FLANGE M6*10
10	GD15E210	BOLT, FLANGE M6*14
12	GD15E212	CAP, BREATHER CHAMBER
14	GD15E214	PACKING, BREATHER CHAMBER
15	GD15E215	SPRING, IDLE CONTROLLER
16	GD15E216	FLYWHEEL BRAKE
17	GD15E217	BOLT, FLANGE M6*22
18	GD15E218	TUBE, BREATHER
19	GD15E219	SHAFT, GOVERNOR ARM
20	GD15E220	WASHER 6*13*1
21	GD15E221	OIL SEAL 6*11*4
22	GD15E222	PIN, LOCK



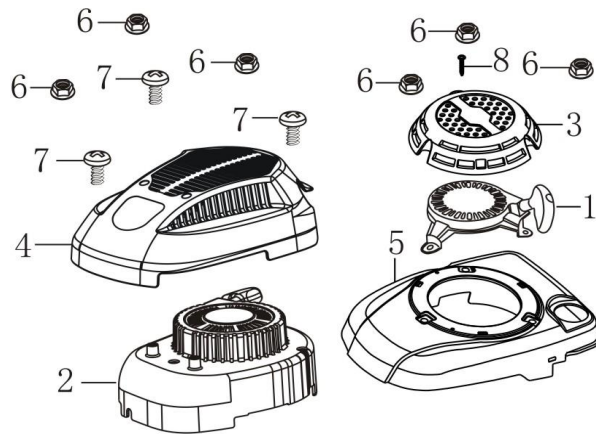
PART N 3 (Crankcase cover)		
No.	ADA CODE	Description
	2	
4	GD15E304	BOLT,FLANGE M8*50
5	GD15E305	OIL SEAL
6	GD15E306	PIN,DOWEL 8*10
7	GD15E307	BOLT,FLANGE M6*20
8	GD15E308	GOVERNOR COMP
9	GD15E309	GOVERNOR ASSY
11	GD15E311	PACKING,CASE COVER
12	GD15E312	PIN,DOWEL 8*14
13	GD15E313	RUBBER,OIL DEFLECTOR
14	GD15E314	DRAIN BOLT
15	GD15E315	WASHER 10*16*1.5
16	GD15E316	CAP ASSY
17	GD15E317	BOLT,FLANGE M6*35



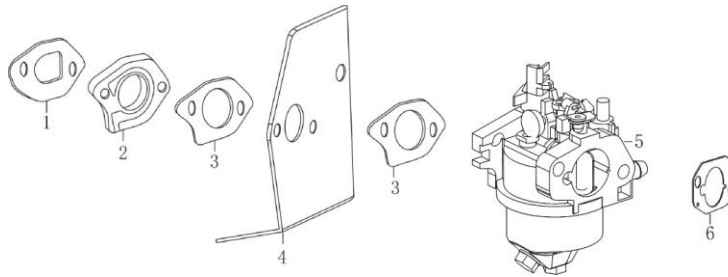
PART N 4 (Crankshaft/Piston/connecting rod)		
No.	ADA CODE	Description
	1	
2	GD15E402	PISTON
3	GD15E403	PIN.PISTON
4	GD15E404	CLIP,PISTON PIN
5	GD15E405	ROD ASSY.,CONNECTING
6	GD15E406	EDDP GROOVE BALL BEAEING 6205
7	GD15E407	CRANKSHAFT COMP
8	GD15E408	WASHER 25.4*34*1



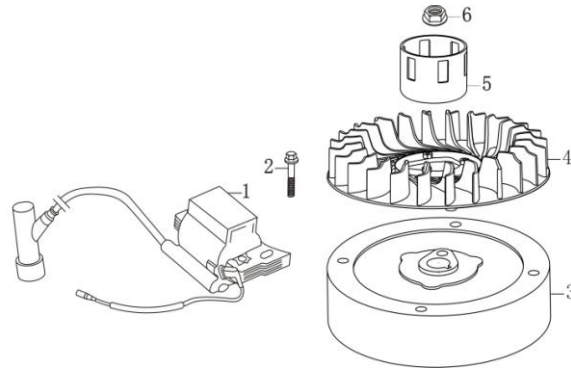
PART N 5 (Camshaft)		
No.	ADA CODE	Description
	1	
2	GD15E502	RATATOR, VALVE
3	GD15E503	RETAINER, VALVE SPRING
4	GD15E504	SPRING, VALVE
5	GD15E505	VALVE ASSY.
6	GD15E506	PLATE ASSY
7	GD15E507	ROD, PUSH
8	GD15E508	LIFTER
10	GD15E510	CAMSHAFT ASSY.
11	GD15E511	WASHER 14.2*20*1



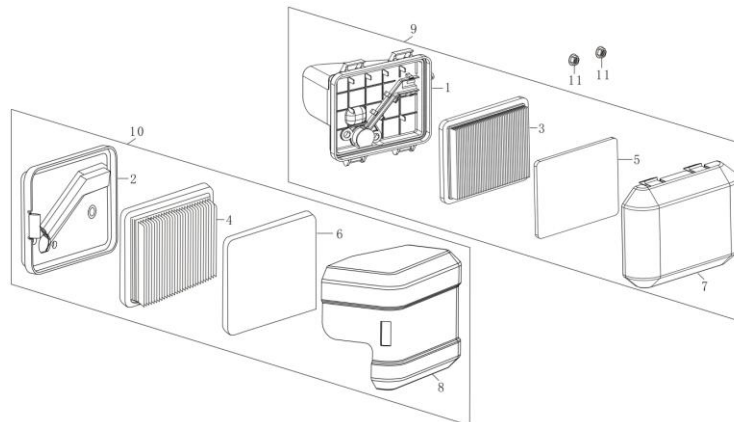
PART N 6 (Starter)		
No.	ADA CODE	Description
	2	
4	GD15E604	HOOD, FAN COVER
6	GD15E606	NUT, FLANGE M6
7	GD15E607	SCREW, PAN M4*10



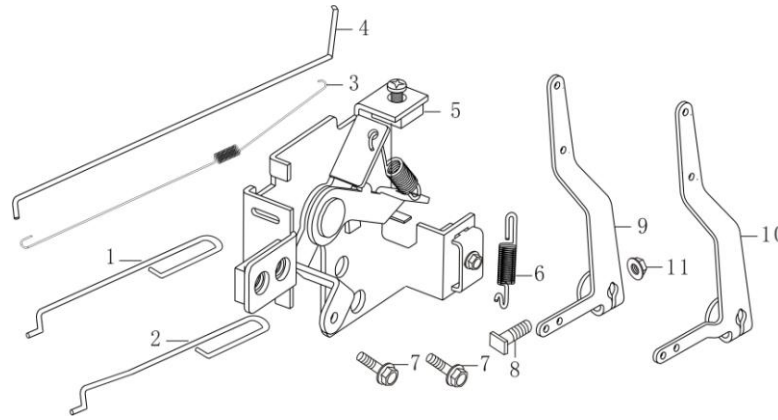
PART N 7 (Carburetor)		
No.	ADA CODE	Description
1	GD15E701	PACKING,INSULATOR
2	GD15E702	INSULATIR,CARBURETOR
3	GD15E703	PACKING,CARBURETOR
4	GD15E704	PACKING,CARBURETOR
5	GD15E705	CARBURETOR
6	GD15E706	GASKET,AIR CLEANER



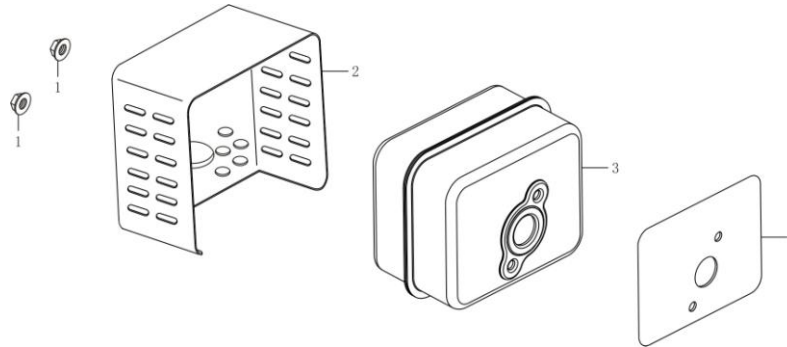
PART N 8 (Flywheel/Ignition Comp)		
No.	ADA CODE	Description
1	GD15E801	COIL ASSY.,IGNITION
2	GD15E802	BOLT,FLANGE M6*22
3	GD15E803	FLYWHEEL COMP
4	GD15E804	FAN,COOLING
5	GD15E805	PULLEY,STARTER
6	GD15E806	NUT,SPECIAL



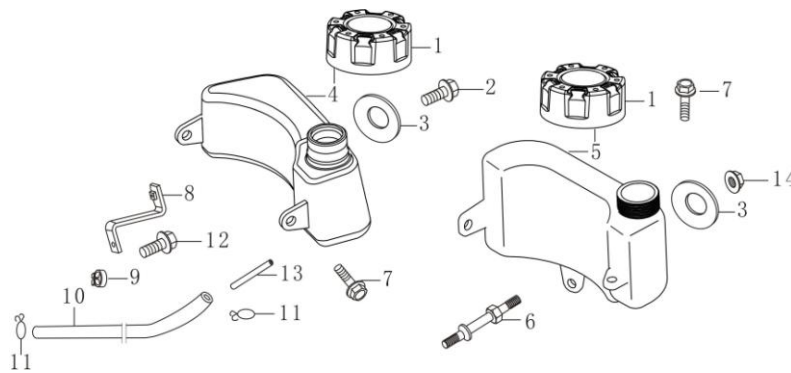
PART N 9 (Air cleaner)		
No.	ADA CODE	Description
1	GD15E901	ELBOW,COMP AIR CLEANER
2	GD15E902	ELBOW,COMP AIR CLEANER
3	GD15E903	ELEMENT, AIR CLEANER
4	GD15E904	ELEMENT, AIR CLEANER
5	GD15E905	FILTER,OUTER
6	GD15E906	FILTER,OUTER
7	GD15E907	COVER,AIR CLEANER
8	GD15E908	COVER,AIR CLEANER
9	GD15E909	AIR CLEANER ASSY 9#
10	GD15E910	AIR CLEANER ASSY 2#
11	GD15E911	NUT,FLANGE M6



PART N 10 (Control)		
No.	ADA CODE	Description
	2	
3	GD15E1003	SPRING, THROTTLE RETURN
4	GD15E1004	ROD, GOVERNOR
5	GD15E1005	LIFTER, VALVE
6	GD15E1006	SPRING, GOVERNOR
7	GD15E1007	BOLT, FLANGE M6*12
8	GD15E1008	BOLT, GOVERNOR ARM
10	GD15E1010	ARM, GOVERNOR
11	GD15E1011	NUT, FLANGE M6



PART N 11 (Muffler)		
No.	ADA CODE	Description
	1	
2	GD15E1102	PROTECTOR COVER, MUFFLER
3	GD15E1103	MUFFLER ASSY.
4	GD15E1104	GASKET, MUFFLER



PART N 12 (Fuel tank)		
No.	ADA CODE	Description
	1	
2	GD15E1202	BOLT, FLANGE M6*16
3	GD15E1203	WASHER 6*25*2
4	GD15E1204	TANK COMP., FUEL
5	GD15E1205	TANK COMP., FUEL
6	GD15E1206	BOLT, STUD 6*60
7	GD15E1207	BOLT, FLANGE M6*20
8	GD15E1208	HOLDER, FUEL TANK
9	GD15E1209	LOCATION CABLE CLIP
10	GD15E1210	TUBE, FUEL 5.5*9.5*295
11	GD15E1211	PIPE CLIP
12	GD15E1212	BOLT, FLANGE M6*12
13	GD15E1213	STRAINER, FUEL
14	GD15E1214	NUT, FLANGE M6